



深圳市博格斯通信技术有限公司
shenzhen bogesi communication technology co., ltd

Specification

Customer:

Customer code:

Specification :

4G External Antenna

Manufacturer code:

BGS-015D (RA Version)

Manufacturer:

Shenzhen Bogesi Communication Technology Co., Ltd

Recognition date:

2019/6/13

| Supplier Sign and Seal | Customer Sign and Seal |
|------------------------|------------------------|
| | |

Supplier contact address: Room 601, Saiba building, Langshan 2Rd, Nanshan , Shenzhen, China
Contact person of supplier's business tel/fax: 0755-86525983/0755-86539353
Supplier technical support contact/phone: Liang Deliu/18988799010



深圳市博格斯通信技术有限公司

shenzhen bogesi communication technology co.,ltd

Scope of application:

It is applicable to the 4G external rubber sleeve antenna

Scope of application:

| | | | |
|-----------------------|---|--------------------------|----------------------|
| Frequency band | 650-960MHz; 1700-2700MHz | The antenna material | Copper |
| Input impedance | 50 Ω | Plastic material | Plastic cap:ABS |
| VSWR | ≤3.5 | | Adapters1: PC+ABS |
| Gain | 650-960MHz: 2dBi; 1700-2700MHz: 3.8dBi | | Adapters2: PC+ABS |
| polarization | Linear polarization | RF line specifications | RG-137 & RF1.13 |
| Operating temperature | - 40 °C ~ + 65 °C | Connector specifications | SMA Male J |
| Storage temperature | - 40 °C ~ + 80 °C | Connector tensile test | SMA≥3 Kg, IPEX I≥1Kg |
| Connector torque test | 200 ~ 1000 g.cm | | |

Omnidirectional radiated power and omnidirectional receiving sensitivity(TRP&TIS):

| Test conditions and methods: | Test method | Test result |
|---|--|---------------------------------------|
| 7×4×3Microwave darkroom Aglient E5071B network analyzer | 1. Assemble the antenna to be tested on the prototype 2. Connect the sample to the network analyzer to test the antenna standing wave, return loss impedance, etc | Refer to the sample test report below |

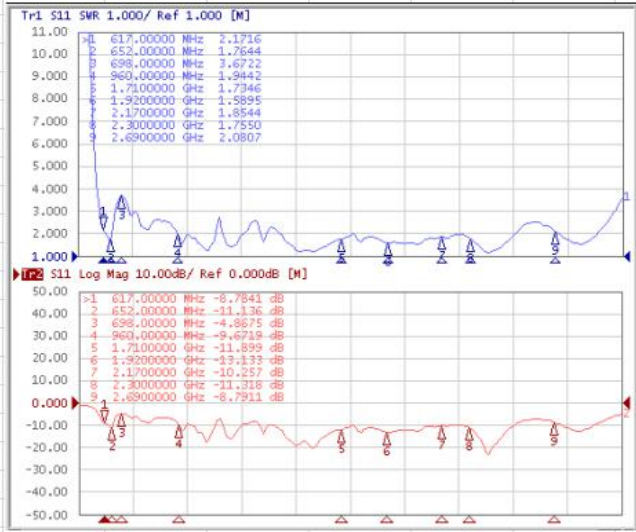
Test data:

Passive test:

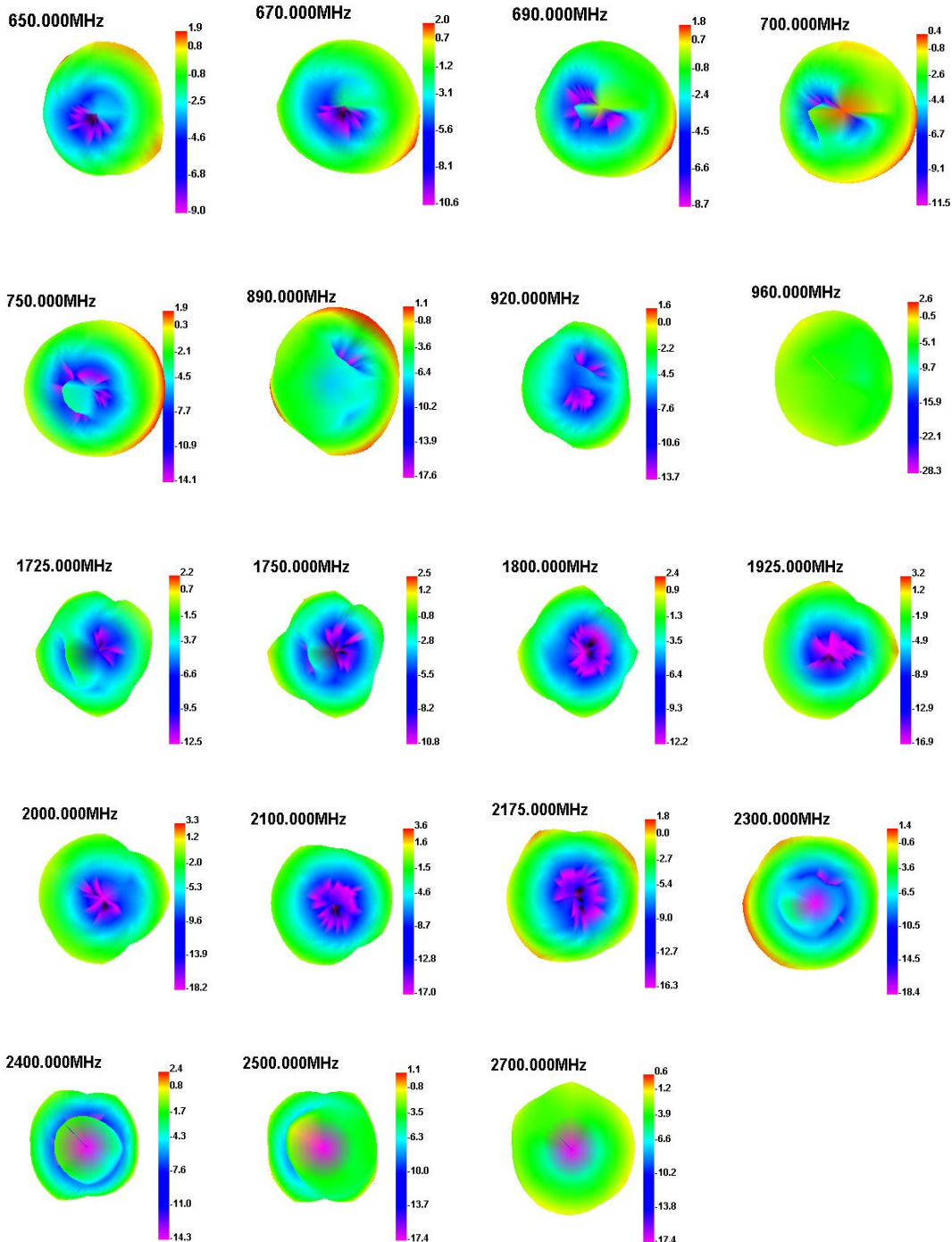
| 天线效率：650-960MHZ | | |
|-----------------|----------|------------|
| Freq (MHz) | Effi (%) | Gain (dBi) |
| 650 | 40.45 | 1.87 |
| 660 | 43.98 | 1.74 |
| 670 | 42.28 | 1.99 |
| 680 | 42.28 | 1.2 |
| 690 | 43.95 | 1.8 |
| 700 | 40.78 | 0.41 |
| 710 | 43.09 | 0.59 |
| 720 | 43.4 | 1.41 |
| 730 | 45.35 | 1.96 |
| 740 | 46.88 | 2.04 |
| 750 | 43.12 | 1.95 |
| 760 | 43.61 | 0.16 |
| 770 | 43.94 | 1.6 |
| 780 | 44.45 | 1.11 |
| 790 | 47.01 | 0.04 |
| 800 | 50.69 | 1.21 |
| 810 | 53.47 | 0.61 |
| 820 | 49.58 | 1.84 |

| 天线效率：1700-2700MHZ | | |
|-------------------|----------|------------|
| Freq (MHz) | Effi (%) | Gain (dBi) |
| 1700 | 60.75 | 2.98 |
| 1725 | 61.61 | 2.22 |
| 1750 | 63.04 | 2.55 |
| 1775 | 62.42 | 2.64 |
| 1800 | 59.19 | 2.38 |
| 1825 | 60.29 | 2.55 |
| 1850 | 66.72 | 2.92 |
| 1875 | 64.04 | 2.53 |
| 1900 | 68.83 | 3.22 |
| 1925 | 69.86 | 3.17 |
| 1950 | 69.8 | 3.26 |
| 1975 | 67.29 | 3.28 |
| 2000 | 69.12 | 3.35 |
| 2025 | 71.25 | 3.81 |
| 2050 | 68 | 3.84 |
| 2075 | 64.57 | 3.7 |
| 2100 | 61.92 | 3.62 |
| 2125 | 58.82 | 3.23 |
| 2150 | 56.37 | 2.63 |
| 2300 | 53.28 | 1.41 |
| 2325 | 58.81 | 2.21 |
| 2350 | 60.97 | 3.07 |
| 2375 | 60.94 | 2.84 |
| 2400 | 62.84 | 2.45 |
| 2425 | 62.99 | 2.44 |
| 2450 | 60.15 | 2.05 |
| 2475 | 56.29 | 1.52 |
| 2500 | 54.77 | 1.09 |
| 2525 | 50.99 | 0.3 |
| 2550 | 50.28 | 0.6 |
| 2575 | 51.32 | 0.84 |
| 2600 | 55.72 | 0.94 |
| 2625 | 55.71 | 0.88 |
| 2650 | 61.04 | 1.26 |
| 2675 | 58.44 | 0.91 |
| 2700 | 55.31 | 0.56 |

天线驻波图: Standing wave diagram:



天线方向图: Direction map:

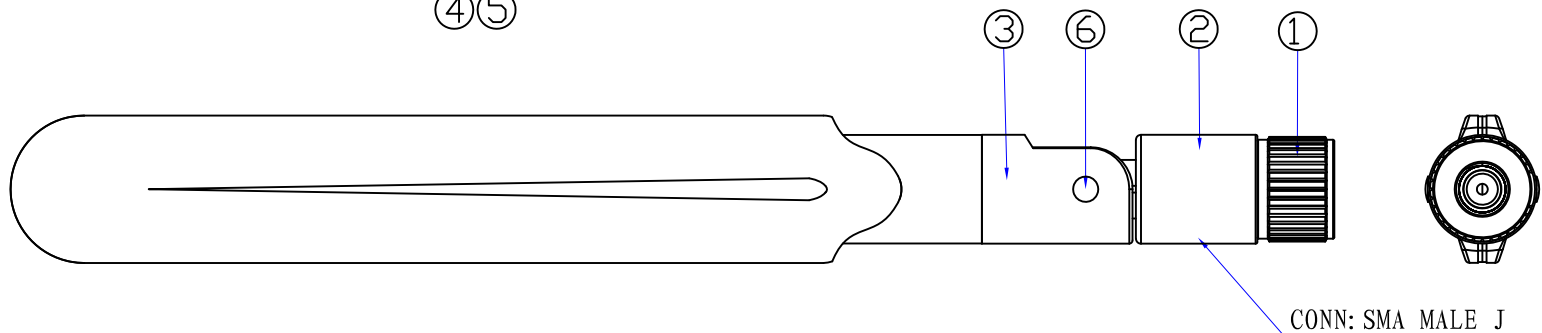
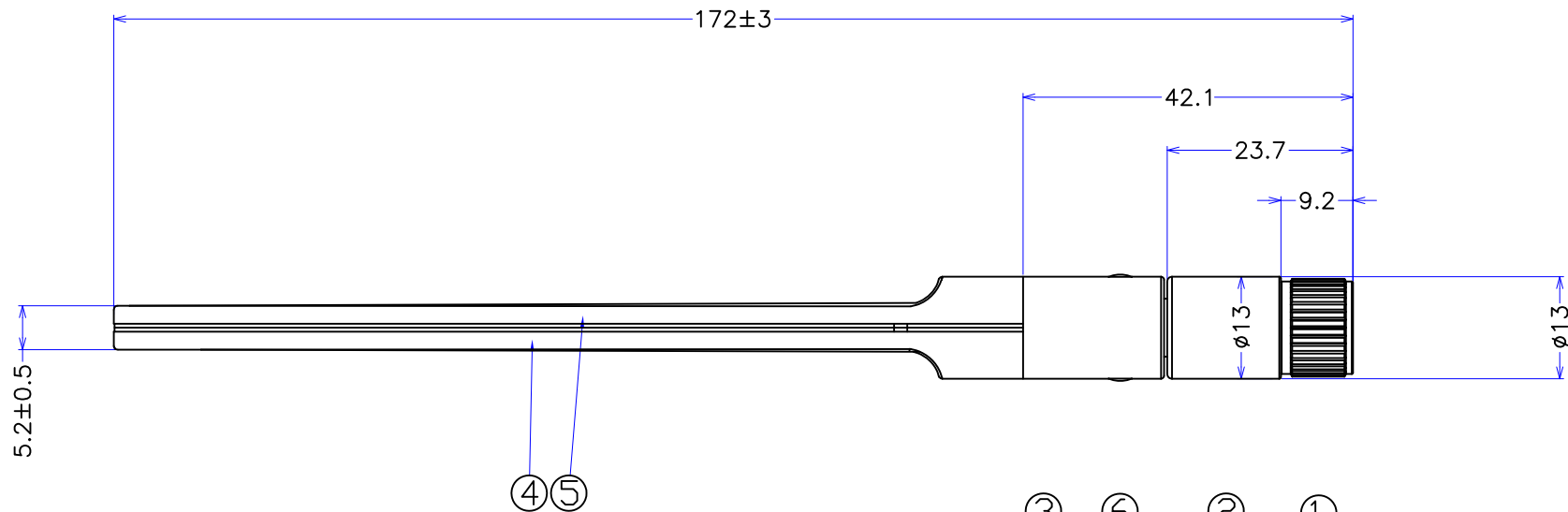




深圳市博格斯通信技术有限公司
shenzhen bogesi communication technology co.,ltd

Sample Pictures:





包装要求: 10个一排

| | | | |
|-----|-------|-----------------------|------|
| ⑥ | 销钉 | 塑胶定位柱 2.25*4.9 ABS 黑色 | 2 |
| ⑤ | 上盖 | 本体 18*131凸 ABS 黑色 | 1 |
| ④ | 下盖 | 本体 18*131凹 ABS 黑色 | 1 |
| ③ | 转接头2 | 连接筒 13*27.4点胶 ABS 黑色 | 1 |
| ② | 转接头1 | 连接头 13*25.6双频 ABS 黑色 | 1 |
| ① | 射频连接器 | SMA 公头 J型, 表面黑色烤漆 | 1 |
| NO. | NAME | DESCRIPTION | QT'Y |

| | | | | | | |
|---------------------|----|---|------|------------|---|---------|
| | |  博格斯通信技术有限公司 Bogesi Organism Magnet Industry Co.,Ltd | | | | |
| 变更内容 | | 变更日期 | 产品编号 | BGS-015D | 材质 | FPC |
| 公差范围 未注公差全部为±0.2 | 设计 | | 客户编号 | / | 版本 | RA |
| | 审核 | | 零件名称 | 4G外置黑色胶套天线 | 项目号 | BGS-015 |
| | 核准 | | 发行日期 | 2019-02-12 |  第1页 共1页 | |



深圳市博格斯通信技术有限公司
shenzhen bogesi communication technology co.,ltd

Antenna packaging instructions

一、Package size: Carton packaging

Front view:



side view:



二、Inner packaging (1PCS/PE ziplock bag, 50PCS/bag, the size of the packaging bag depends on the product size)

